

12.9 六角ボルト 全ねじ

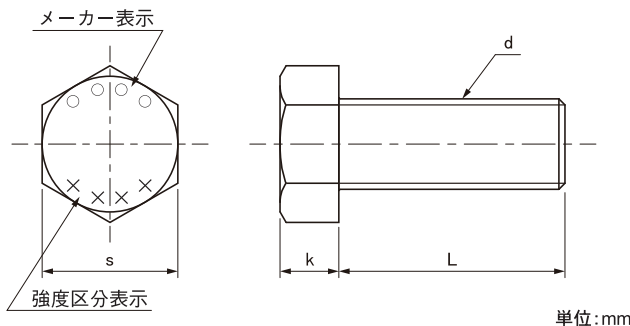
在庫拡大中!



SUNCO商品コード B0-00-0250

材質 [SCM435] M10-M20
[SNCM439] M24-M30
強度12.9[硬度管理HRC39-44]
JISB1180附属書準拠

図面・規格表



単位:mm

| ねじの呼び d | ピッチ 並目 | 二面幅 s | | 頭高さ k | |
|---------|--------|-------|------------|-------|-------|
| | | 基準寸法 | 許容差 | 基準寸法 | 許容差 |
| M10 | 1.5 | 17 | 0 -0.25 | 7 | ±0.2 |
| M12 | 1.75 | 19 | 0 -0.35 | 8 | ±0.2 |
| M16 | 2 | 24 | 0 -0.5 | 10 | ±0.2 |
| M20 | 2.5 | 30 | 0 -0.5 | 13 | ±0.3 |
| M24 | 3.0 | 36 | 0 -1.0 | 15 | ±0.35 |
| M30 | 3.5 | 46 | 0 -1.0 | 19 | ±0.4 |

● : 新サイズ

| | M10 | M12 | M16 | M20 | M24 | M30 |
|-----|-----|-----|-----|-----|-----|-----|
| 35 | ● | | | | | |
| 40 | ● | ● | | | | |
| 45 | ● | ● | ● | | | |
| 50 | ● | ● | ● | | | |
| 55 | | ● | ● | | | ● |
| 60 | | ● | ● | | ● | ● |
| 65 | | ● | ● | ● | ● | ● |
| 70 | | ● | ● | ● | ● | ● |
| 75 | | ● | ● | ● | ● | ● |
| 80 | | ● | ● | ● | ● | ● |
| 85 | | ● | ● | ● | ● | ● |
| 90 | | ● | ● | ● | ● | ● |
| 95 | | ● | ● | | ● | ● |
| 100 | | ● | ● | ● | ● | ● |
| 105 | | | | | ● | ● |
| 110 | | ● | ● | | ● | ● |
| 115 | | | | | | ● |
| 120 | | ● | ● | | ● | ● |
| 125 | | | | | | ● |
| 130 | | ● | | ● | ● | ● |
| 135 | | | | | | ● |
| 140 | | ● | | | ● | ● |
| 145 | | | | | | ● |
| 150 | | ● | | ● | ● | ● |
| 155 | | | | | | ● |
| 160 | | ● | | | ● | ● |
| 165 | | | | | | ● |
| 170 | | | | | ● | ● |
| 175 | | | | | | ● |
| 180 | | | | | ● | ● |
| 185 | | | | | | ● |
| 190 | | | | | ● | ● |
| 195 | | | | | | ● |
| 200 | | | | | ● | ● |
| 210 | | | | | ● | |
| 220 | | | | | ● | |
| 230 | | | | | ● | |
| 240 | | | | | ● | |
| 250 | | | | | ● | |
| 260 | | | | | ● | |
| 270 | | | | | ● | |
| 280 | | | | | ● | |
| 290 | | | | | ● | |
| 300 | | | | | ● | |

在庫表

☑ 1本から数通り(バラ)出荷可能です